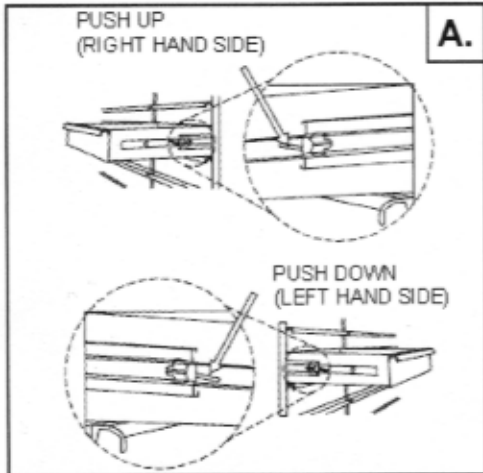


# ATTENTION!

## Instructions for installing EX7201HC onto EX7217RC 72" Professional Roller Cabinet



### 1. REMOVE STAINLESS STEEL TOP FROM ROLLER CABINET

#### A. Remove top drawers from roller cabinet:

1. Pull out top drawer so it is almost fully extended..
2. Find black release lever located toward the front of each drawer glide. See Diagram A.
3. Simultaneously press the right side release lever down and the left side release lever up.
3. While release levers are in up and down position, pull the drawer passed the drawer stop and completely out of the roller cabinet.
4. Repeat steps 1 -3 to remove the second long drawer.

#### B.

- B. Next, remove the 6 screws which hold the stainless steel in place from the underside of the top of the roller cabinet. See location of screws as shown in Diagram B.

- C. Lift and remove stainless steel top from roller cabinet.

**NOTE:** Stainless steel top is heavy and requires more than 1 person to lift and remove.

### 2. POSITIONING HUTCH ON ROLLER CABINET

- A. Gently move hutch into place on top of roller cabinet by positioning bottom back corners of hutch against the back corners of fence rail along top edge of roller cabinet.

- B. Once back hutch is in place and resting on top of roller cabinet, then gently set down the rest of the hutch.

- C. After hutch is properly positioned on roller cabinet, screw the hutch in place by re-inserting and tightening the 6 screws which held the stainless steel top in place.

- D. Replace the two top drawers into the roller cabinet.

1. Extend the drawer glides from the roller cabinet.
2. Insert the brackets on each side of the drawer into the slots in the cabinet glides, being careful that they are properly positioned.
3. Once glides are properly inserted, completely close the drawer to set the glides in their proper positions.

